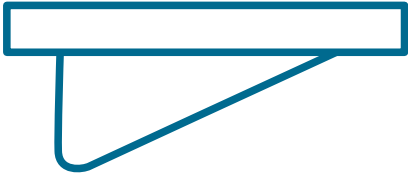


Click the button
to watch the
assembly video

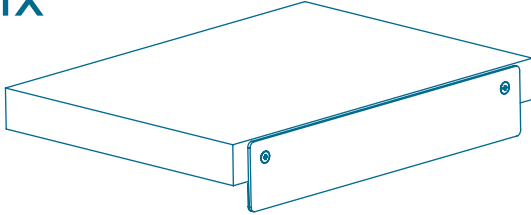


KOALA URBAN BEDSIDE TABLE



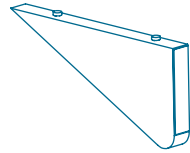
1. Whats in the box.

1x



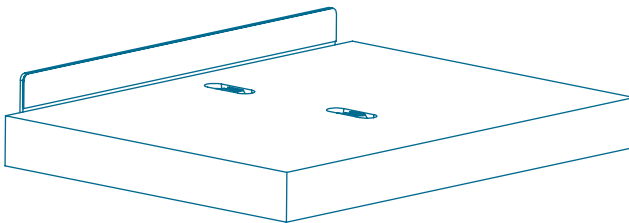
TOP

1x

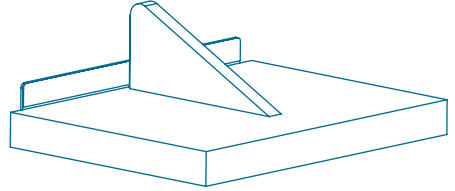
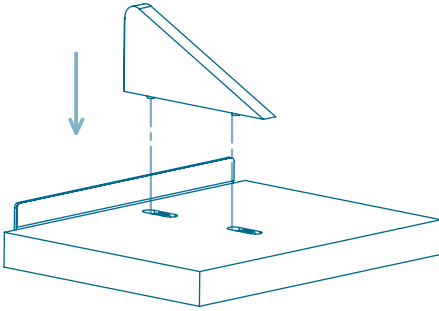


FIN

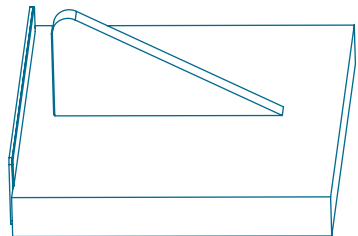
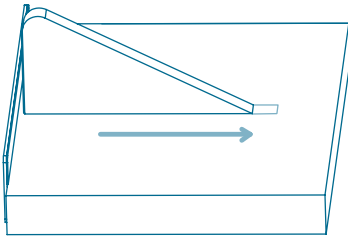
2. Place top upside down on a soft surface.



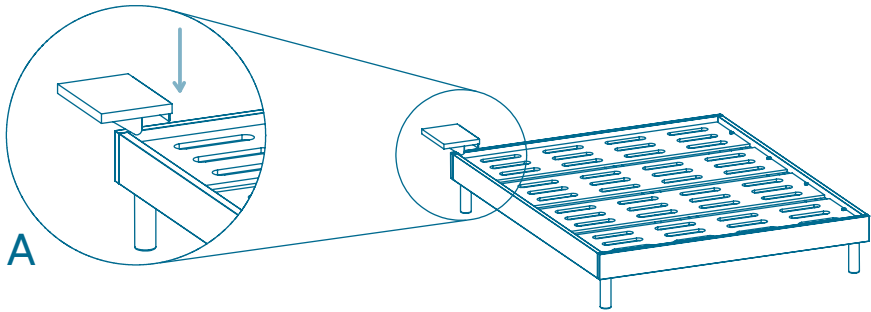
3. Attach fin to top.



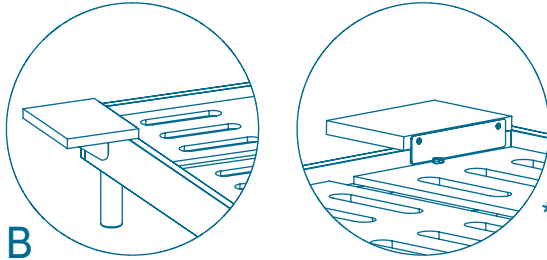
4. Slide fin back to lock in place.



5. Assemble bedside table to side rail.



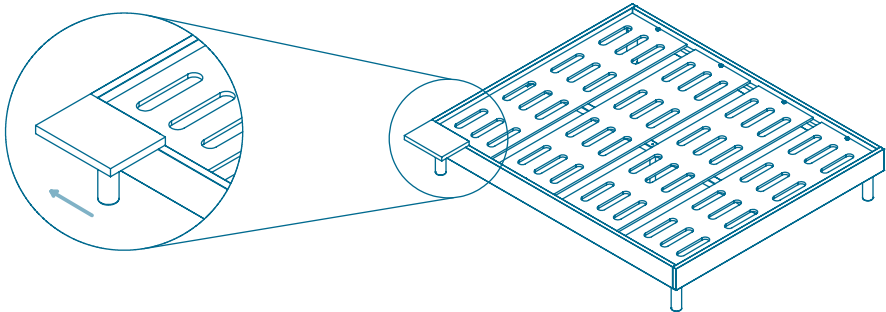
A



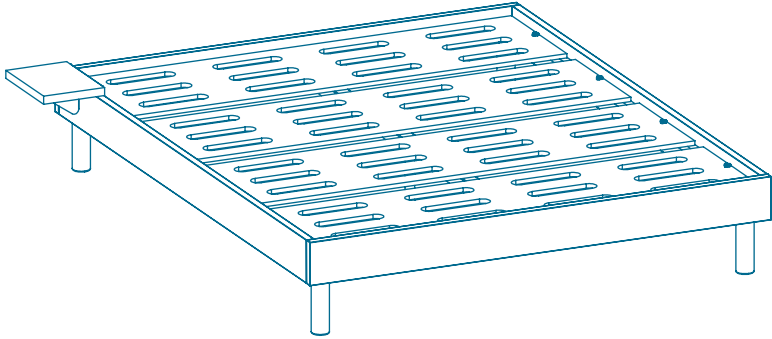
B

*Make sure metal plate is on the inside of the side rail

6. Make sure bedside table is against headboard.



7. Ta-dah!



For maximum enjoyment:

Always have the table up against the headboard

It's a bedside table (not a seat or a ladder)

We recommend a maximum weight limit of 12kg