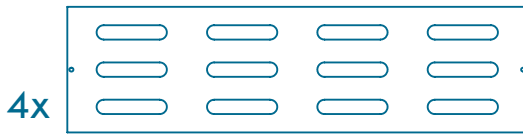


1. What's in the box.



PLATFORM



END RAIL



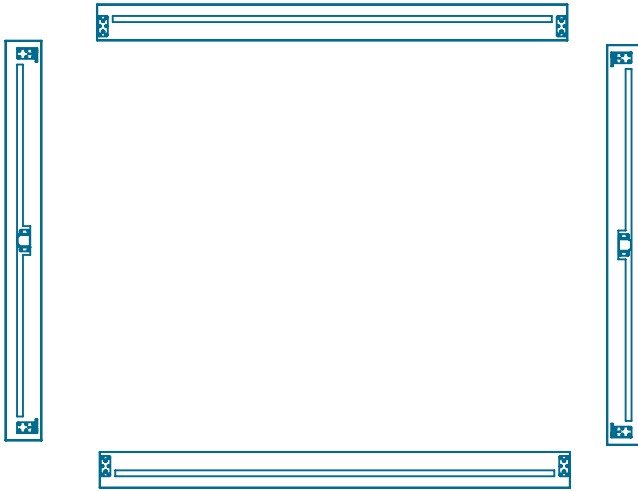
SIDE RAIL



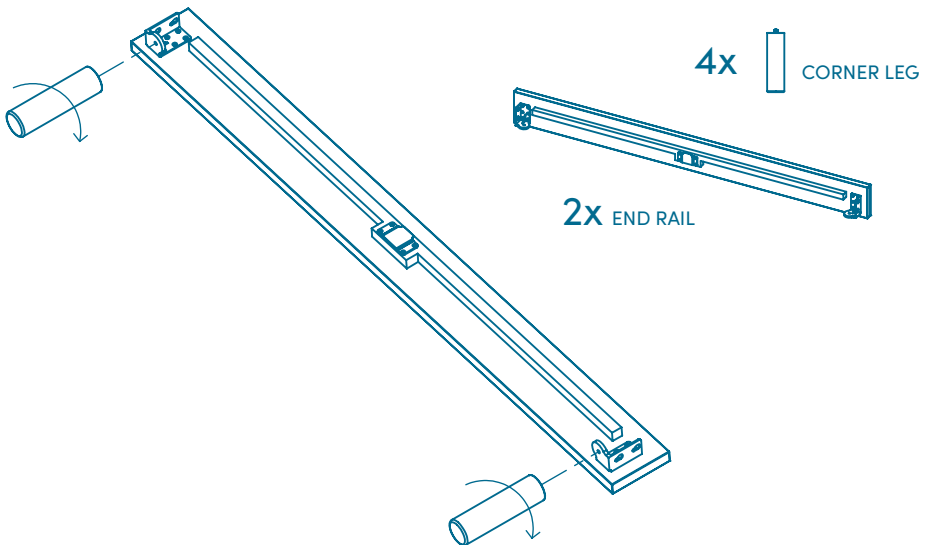
CENTRE RAIL



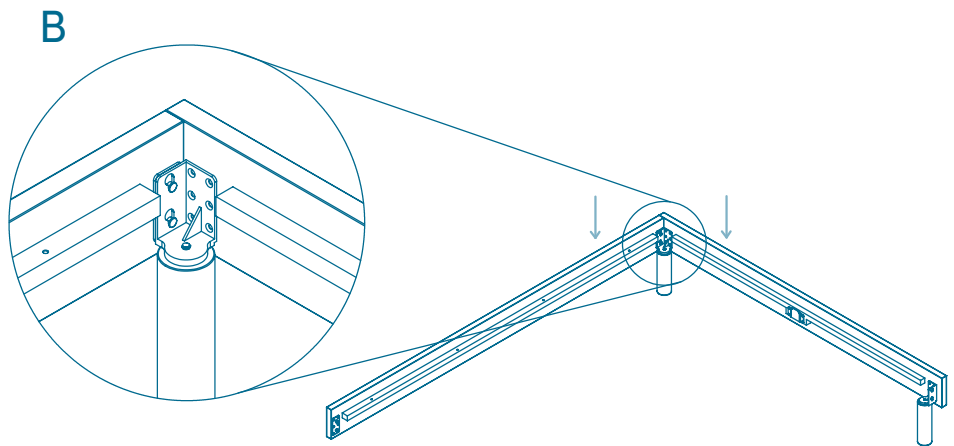
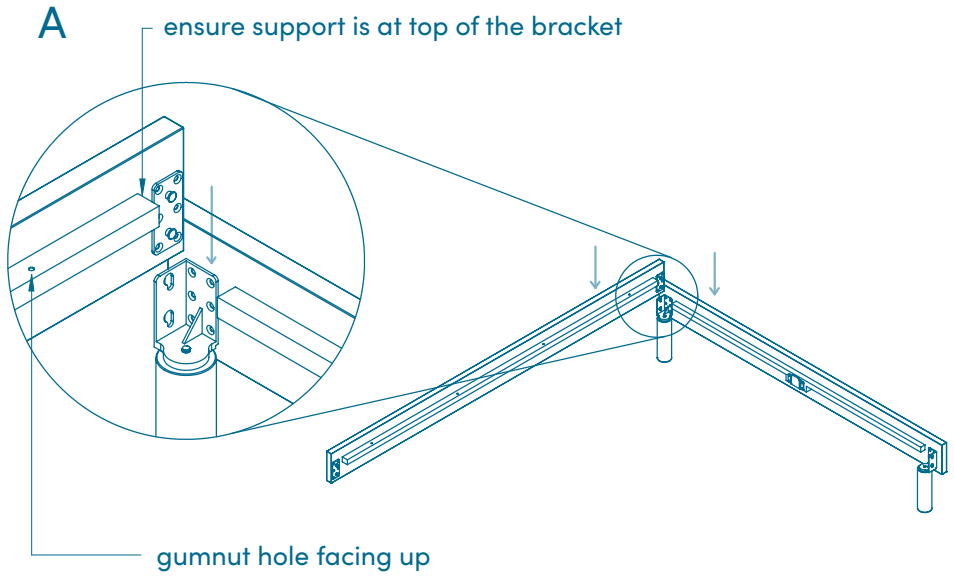
- 2.** Place the headboard, foot rail and side rails where you want to position your bed.



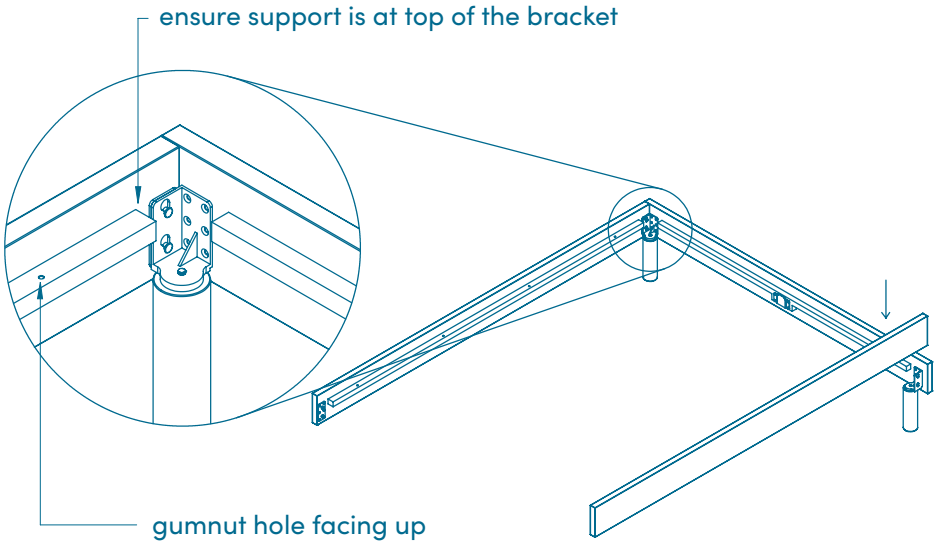
- 3.** Screw in corner legs to end rails.



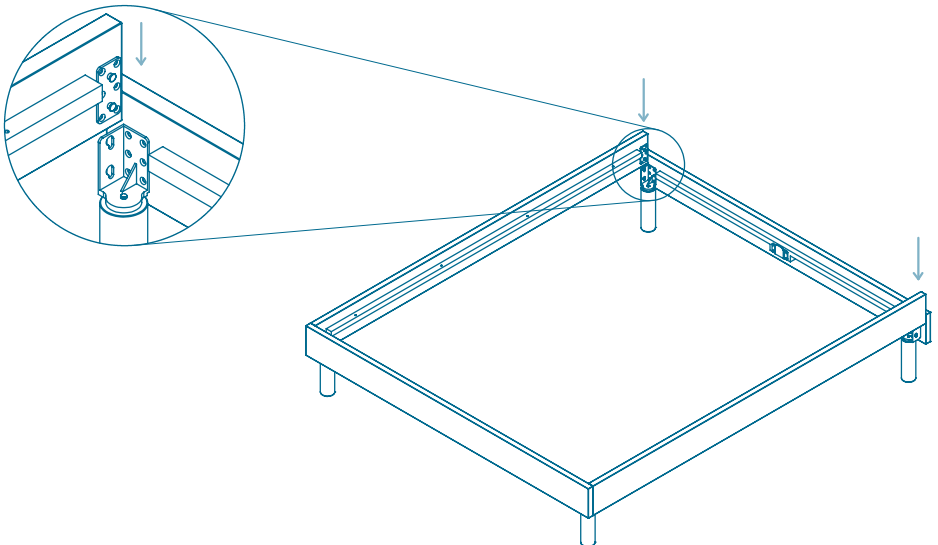
- 4.** Attach the side rails to one of the end rails by aligning the pins into the holes and pushing down.



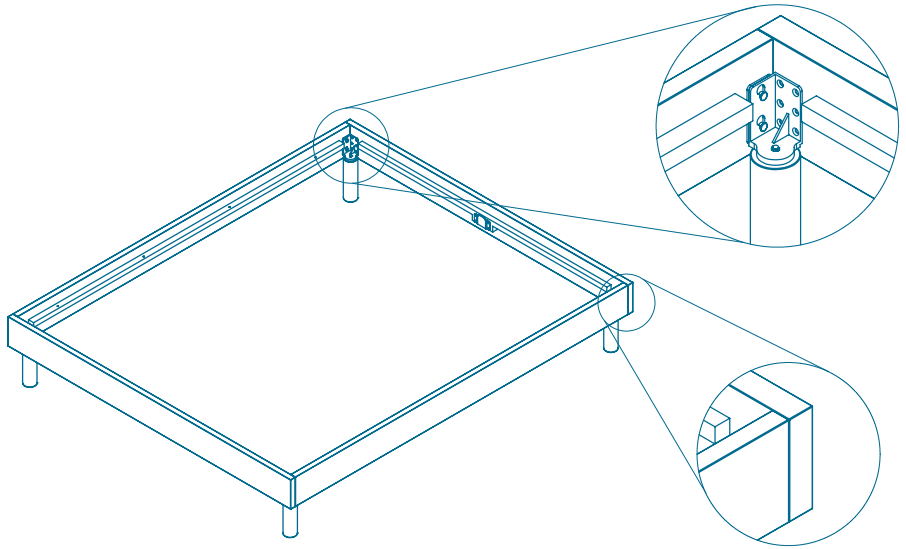
5. Repeat the prior step with other side rail.



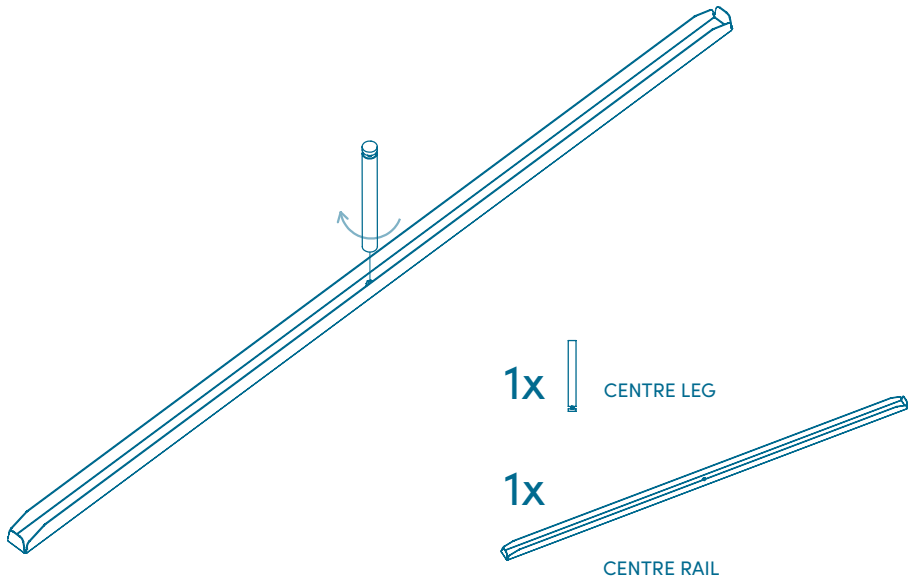
6. Align and fit the side rails into the other end rail.



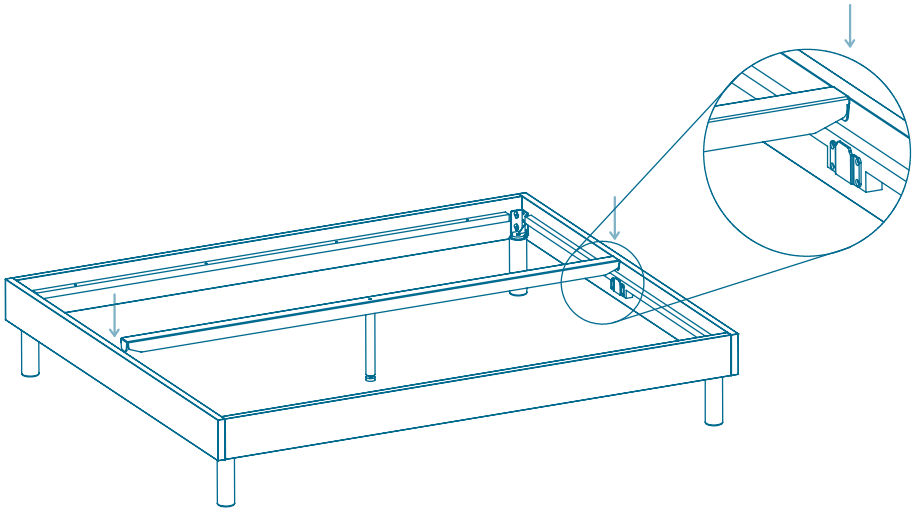
- 7.** Make sure all pins are at the bottom of the bracket slots and the side rails are flush with the end rails.



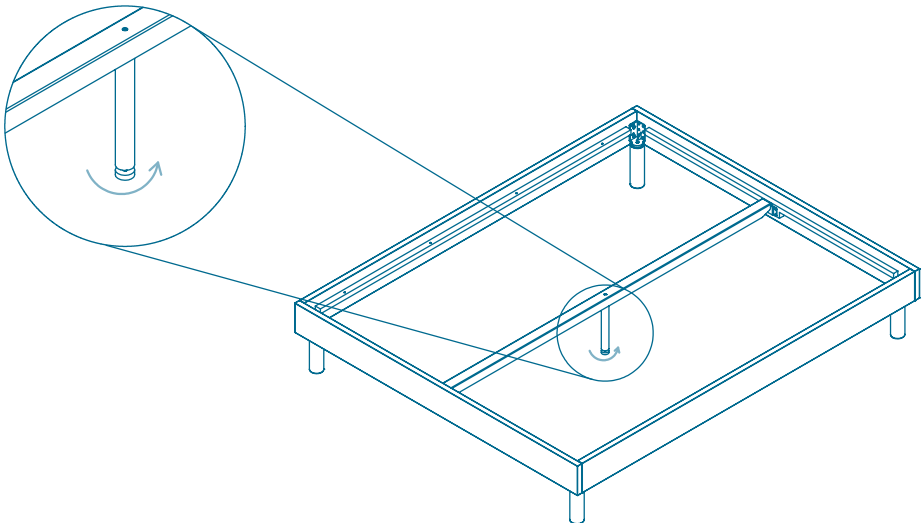
-
- 8.** Screw metal centre leg into metal centre rail.



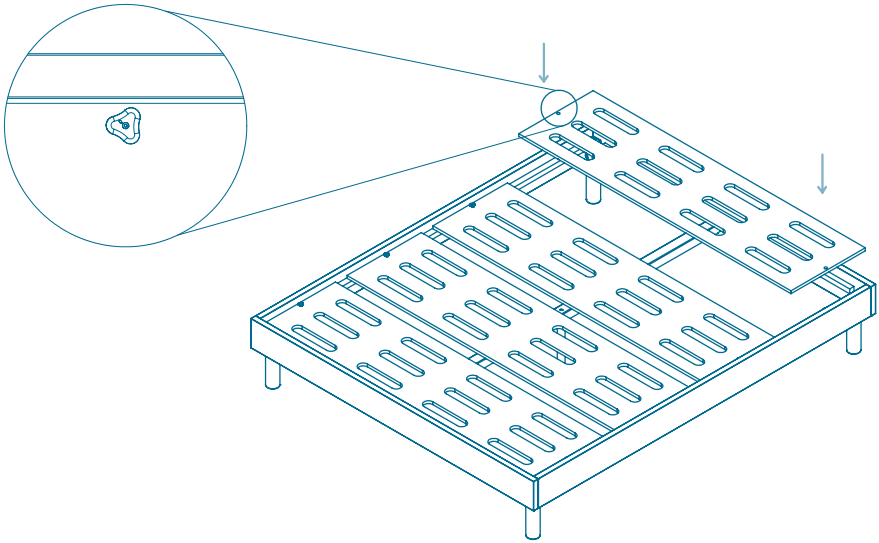
- 9.** Assemble centre rail to end rails by placing the tab inside the brackets.



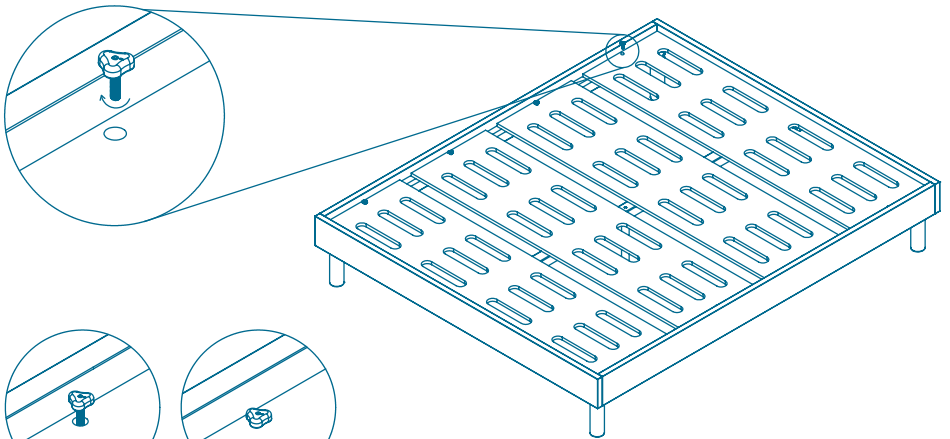
-
- 10.** Adjust the foot on the metal leg so it almost touches the ground



11. Evenly space the platforms onto bedframe. Align holes with side rails.

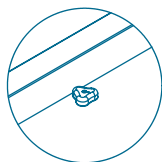


12. Loosely screw in all gumnuts to secure platforms.



8x  GUMNUT

13. Tighten all gumnuts to complete assembly.



O

