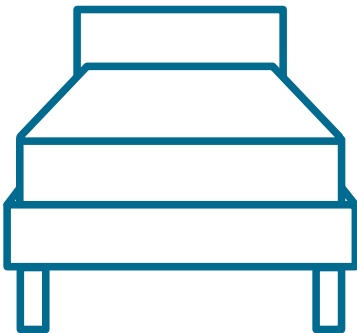


Click the button
to watch the
assembly video



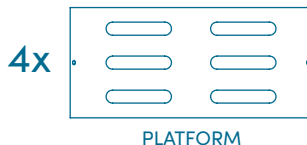
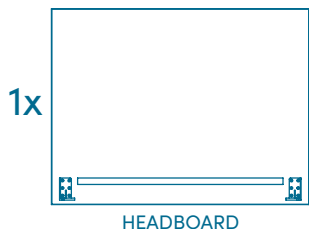
SINGLE

**KOALA URBAN BED
(WITH HEADBOARD)**

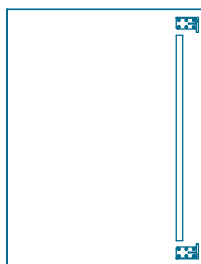
koala

1.

Click the button
to watch the
assembly video

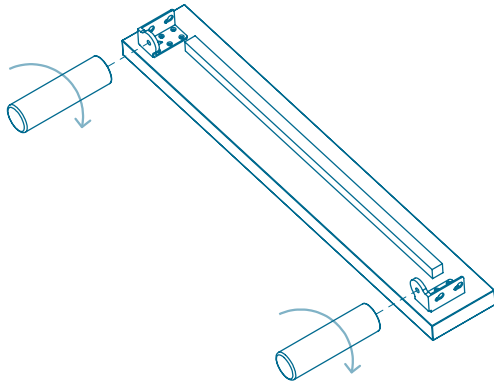


2. place the headboard, foot rail and side rails where you want
to position your bed



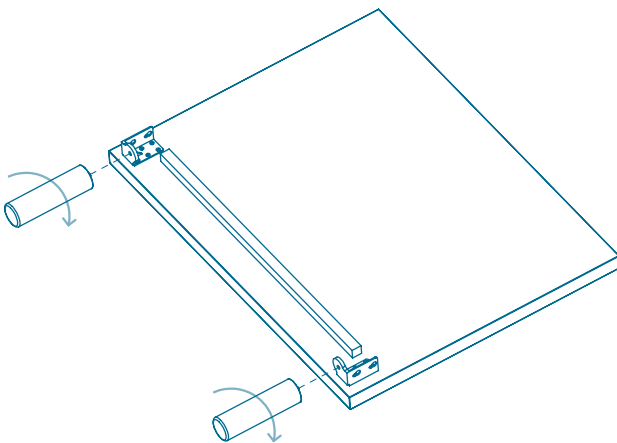
3. screw in corner legs to foot rail

Click the button
to watch the
assembly video



2x

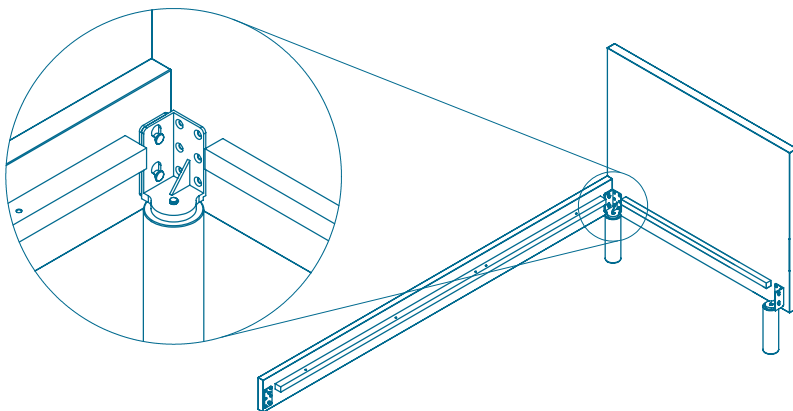
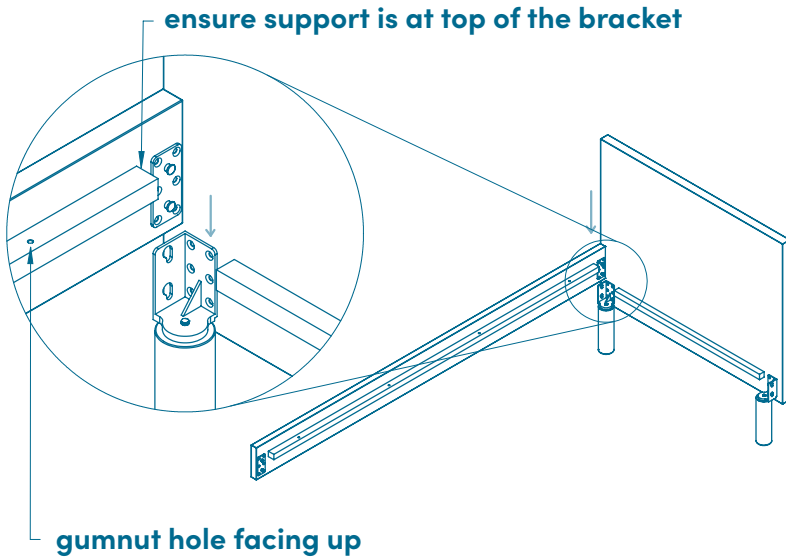
4. screw in corner legs to headboard



2x

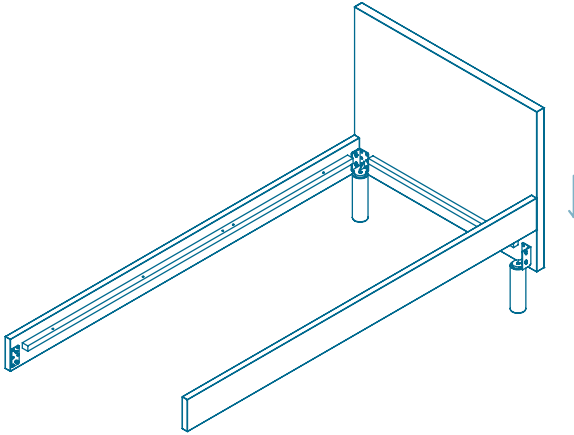
5. attach the side rails to headboard
by aligning the pins into the holes and
pushing down

Click the button
to watch the
assembly video

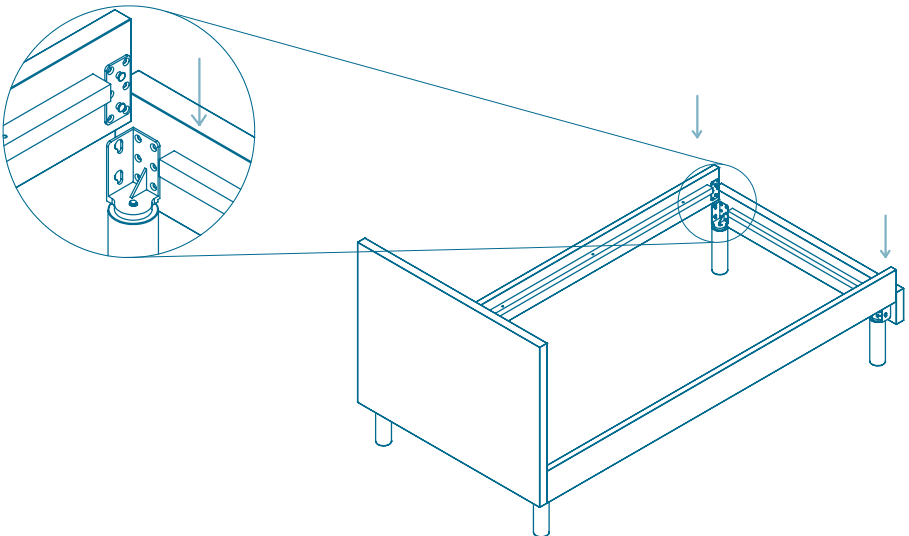


6. repeat the prior step with the other side rail

Click the button
to watch the
assembly video

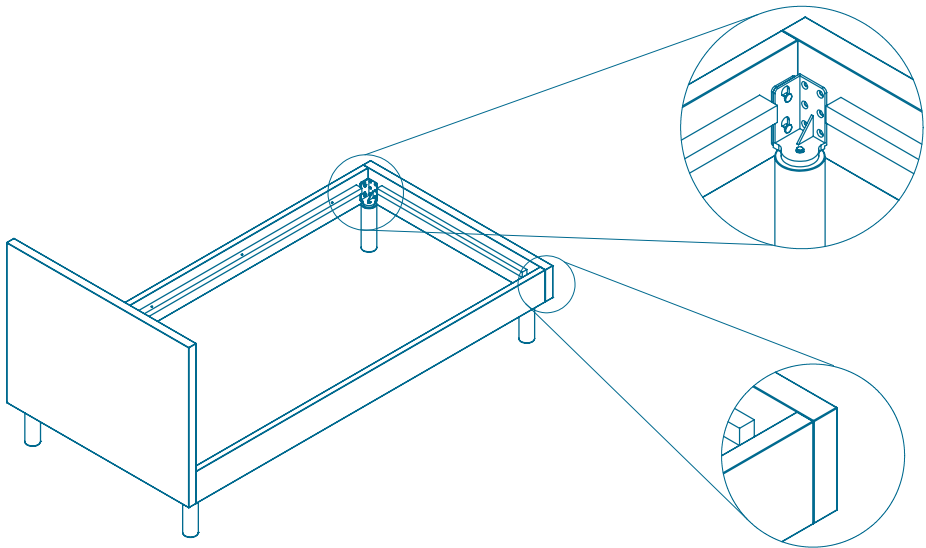


7. align and fit the side rails into the foot rail

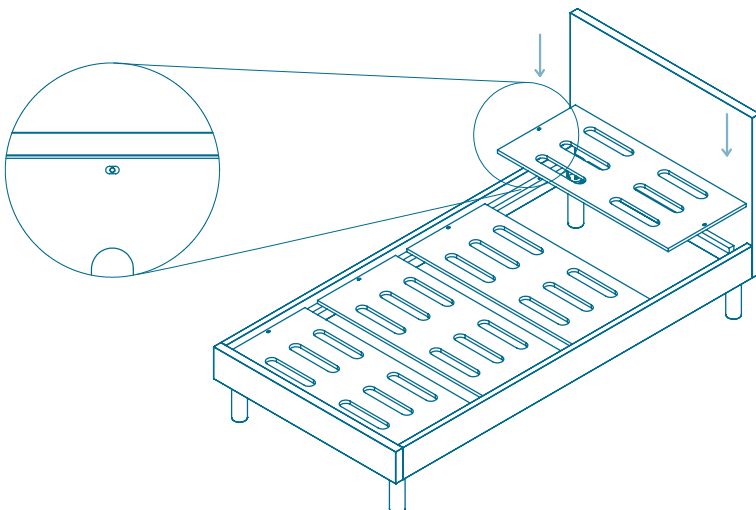


- 8.** make sure all pins are at the bottom of the bracket slots and the foot rail is flush with the side rail

Click the button to watch the assembly video

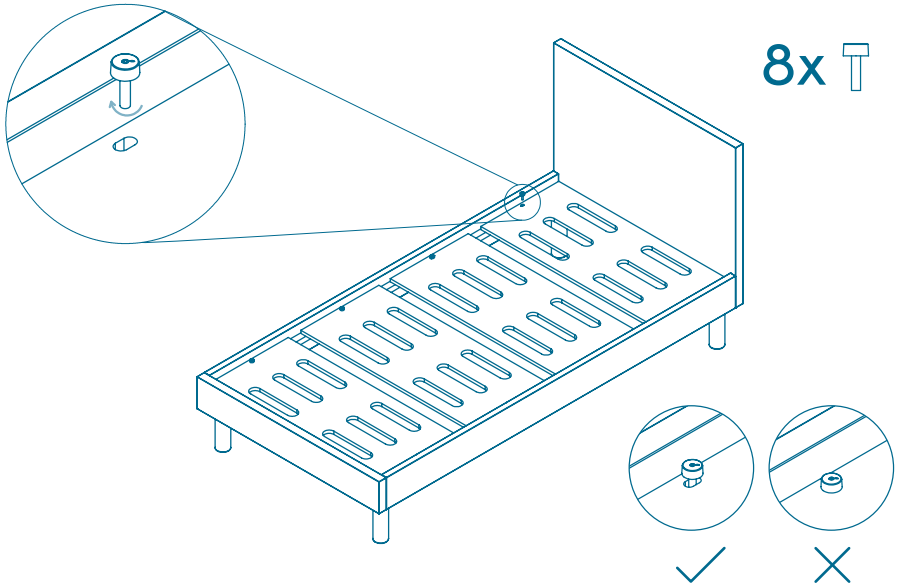


- 9.** evenly space the platforms onto bedframe. align holes with side rails

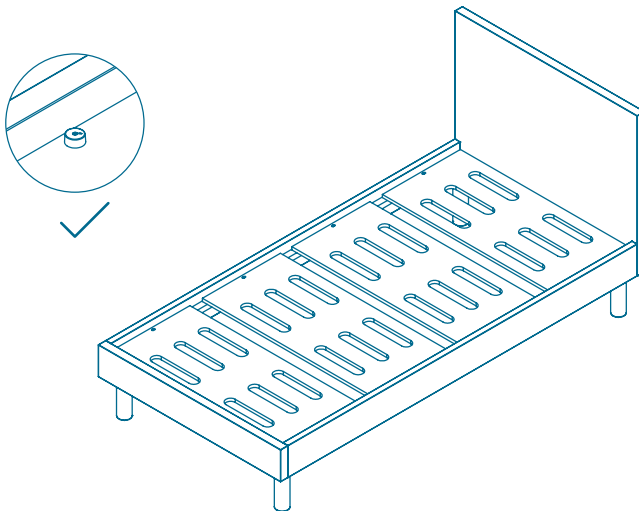


10. loosely screw in all gumnuts to secure platforms

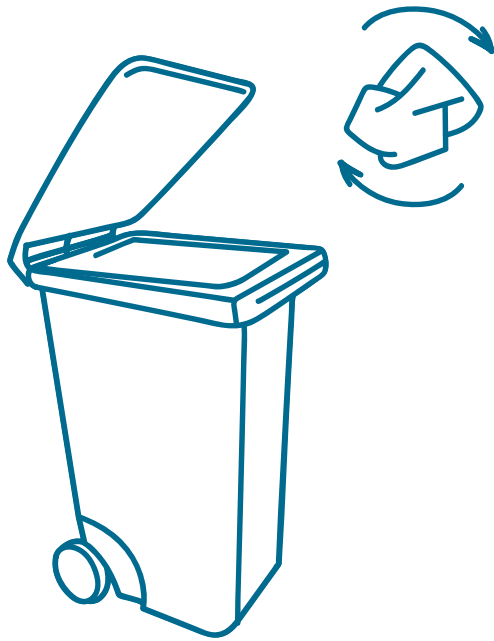
Click the button to watch the assembly video



11. tighten all gumnuts to complete assembly



Click the button
to watch the
assembly video



don't forget to recycle.

koala