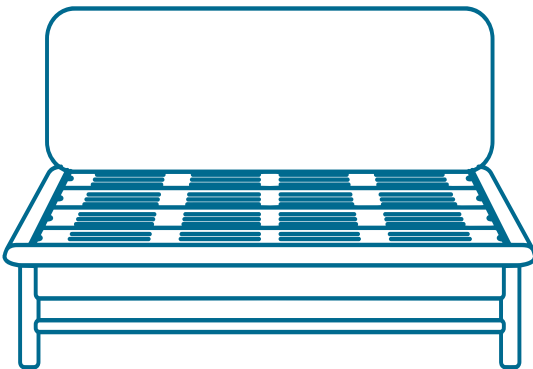
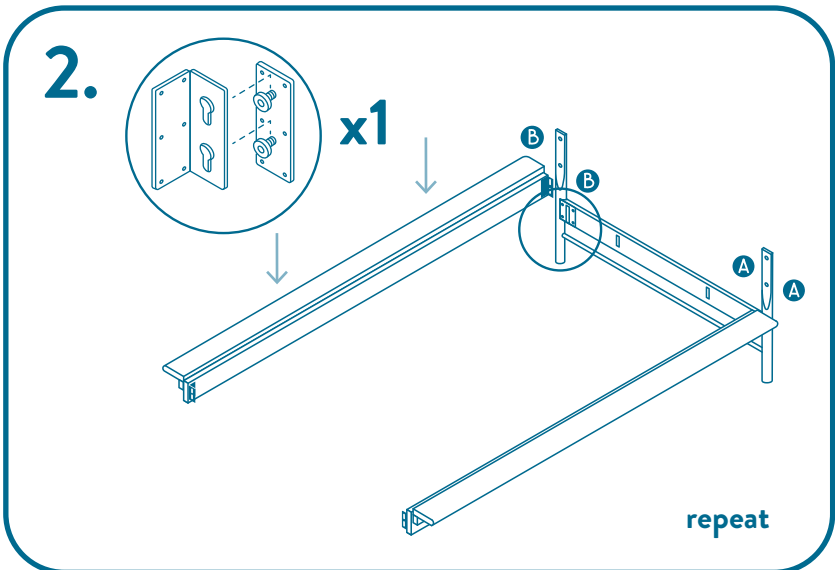
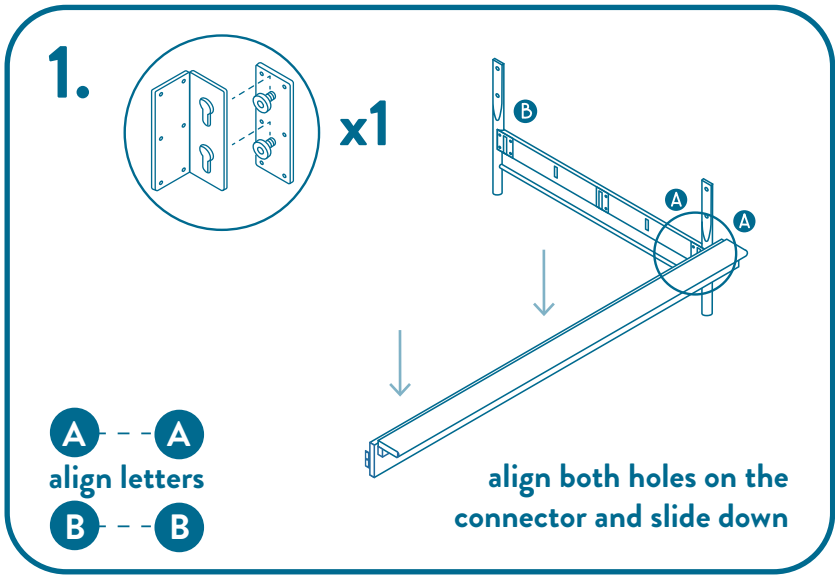


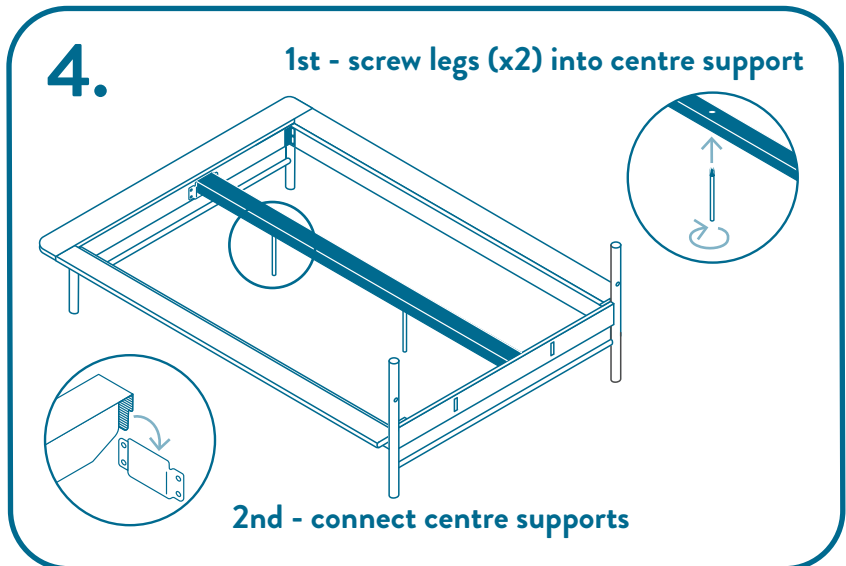
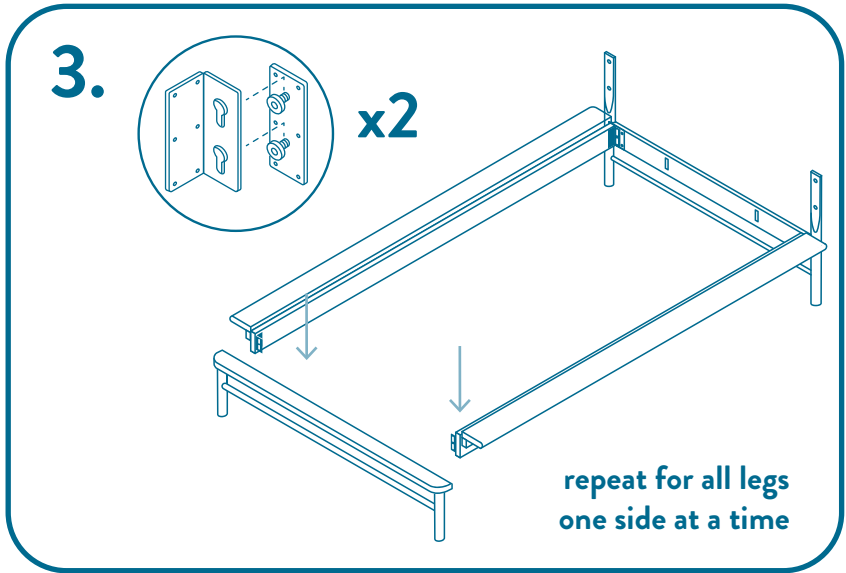
Click the button
to watch the
assembly video



SINGLE/SEMI-DOUBLE/DOUBLE/QUEEN
KOALA FABRIC BED FRAME

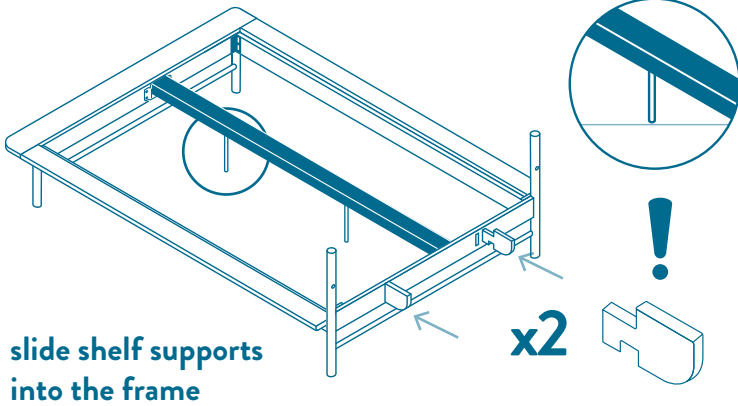




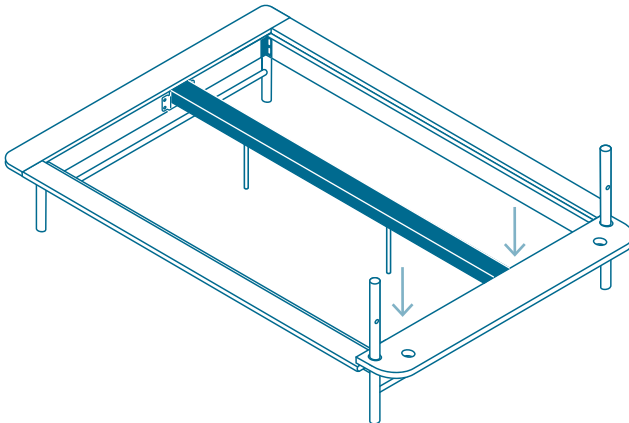




5. adjust feet so it almost touches the ground



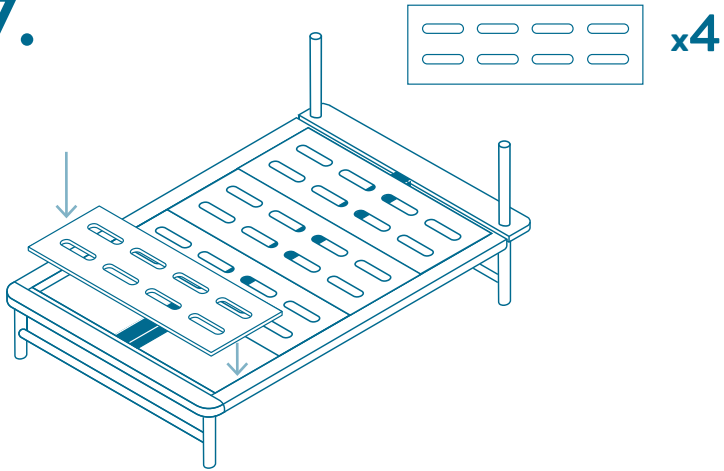
6.



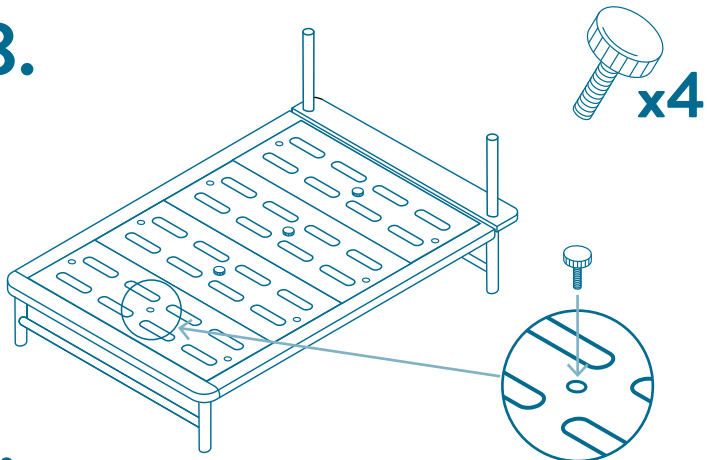
lower down shelf keeping it flat



7.



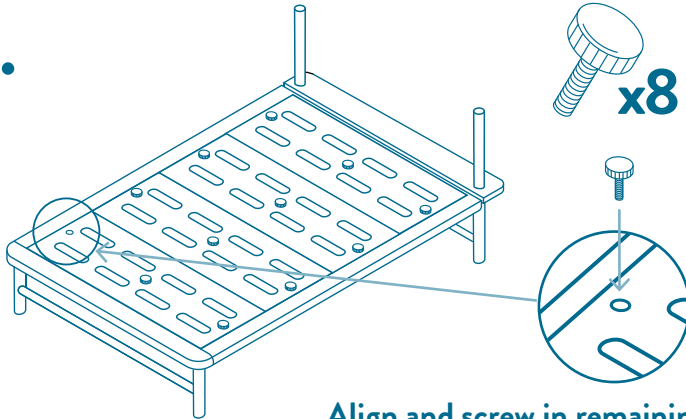
8.



loosely screw the gumnuts into centre holes first

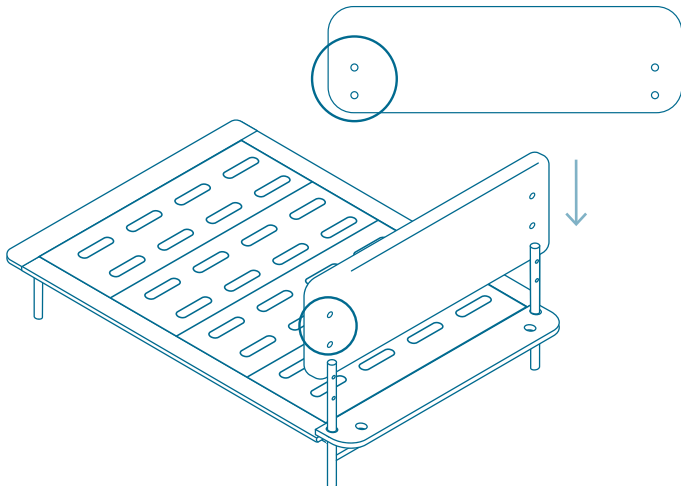


9.



Align and screw in remaining
Gumnuts and then lightly tighten them all
- don't worry about them being super tight

10.

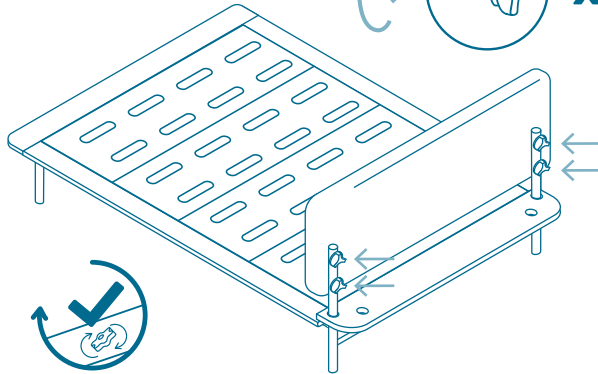
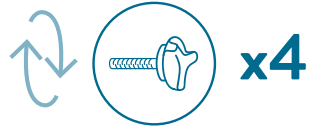


holes on the back

lift on backrest



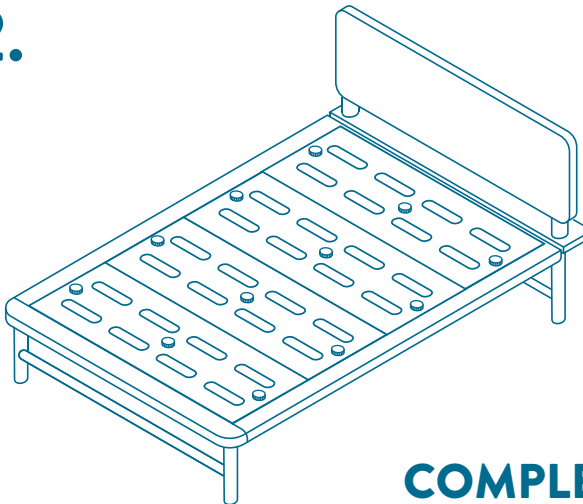
11.



tighten gumnuts

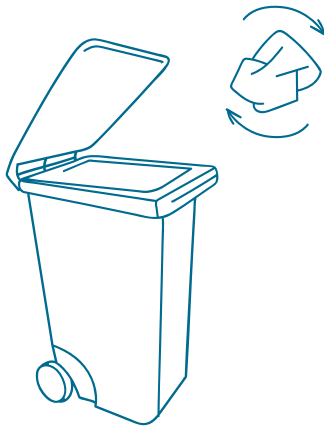
connect back legs to backrest

12.



COMPLETE!

Click the button
to watch the
assembly video



don't forget to recycle

koala