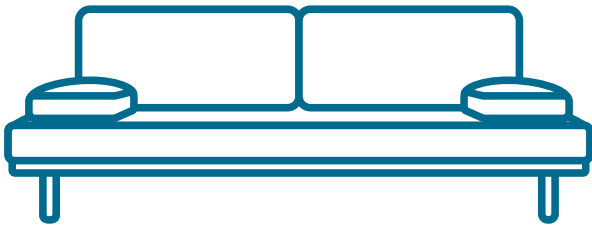


Nov 2022

Click the button
to watch the
assembly video



CHILLAX SOFA

koala

What's in the box*:

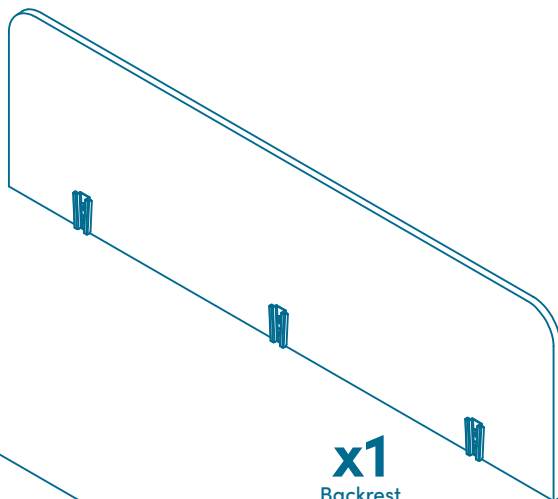
*Not to scale



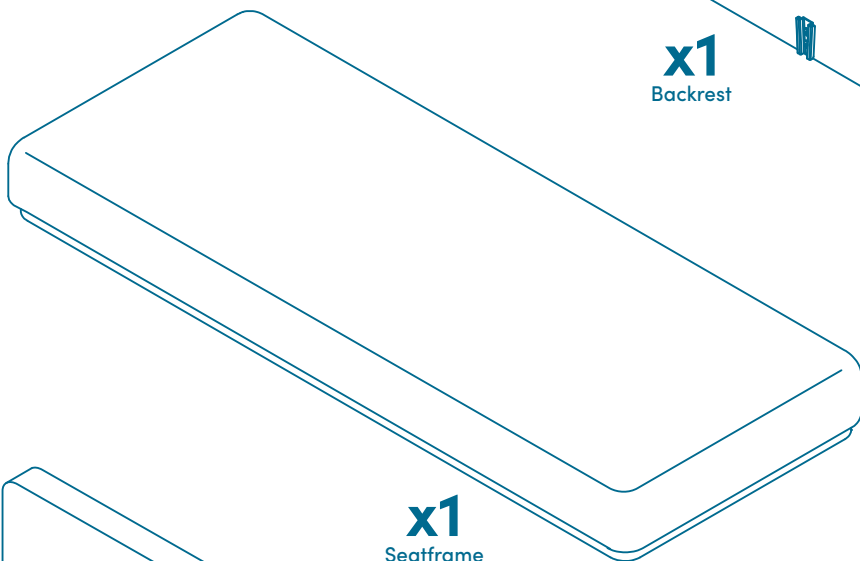
x4
Legs



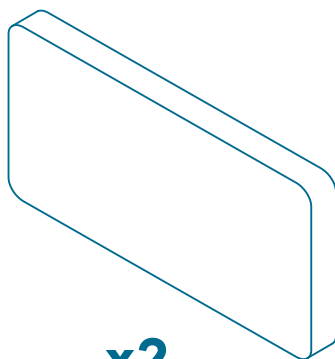
x4
Washers



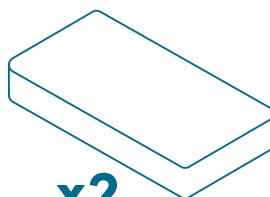
x1
Backrest



x1
Seatframe

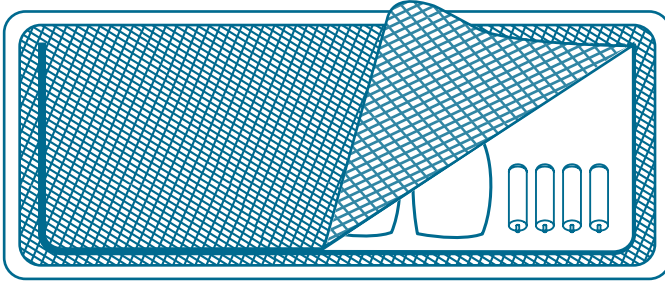


x2
Backrest Cushion

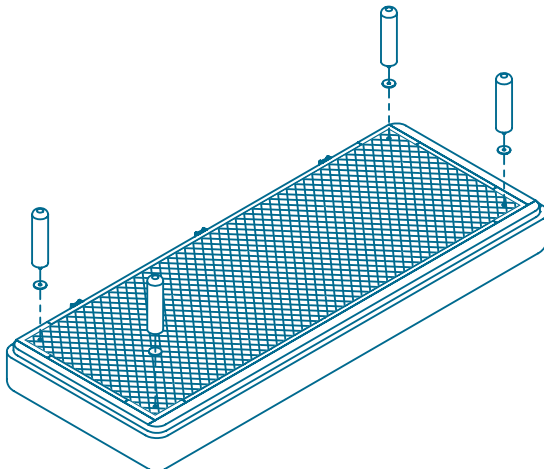


x2
Armrest Cushion

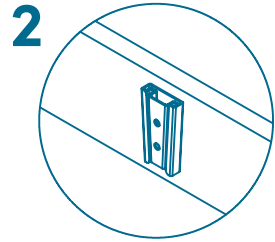
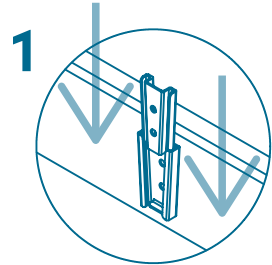
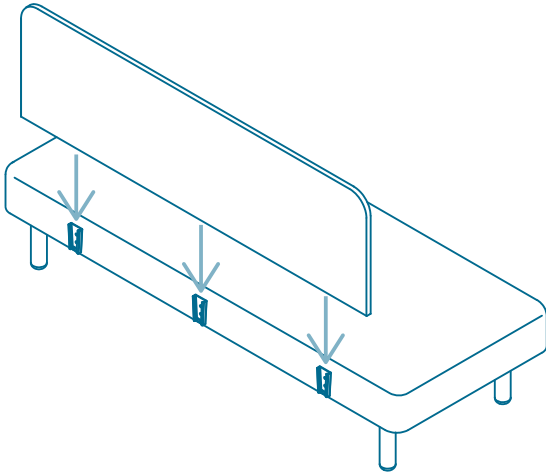
1. Open all boxes. Open the zipper on the back of the seat frame and remove 4 x legs and 2 x armrest cushions.



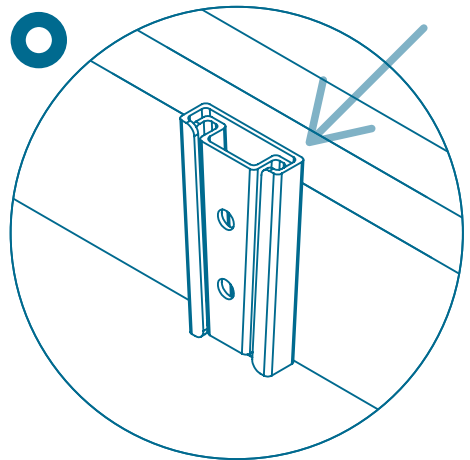
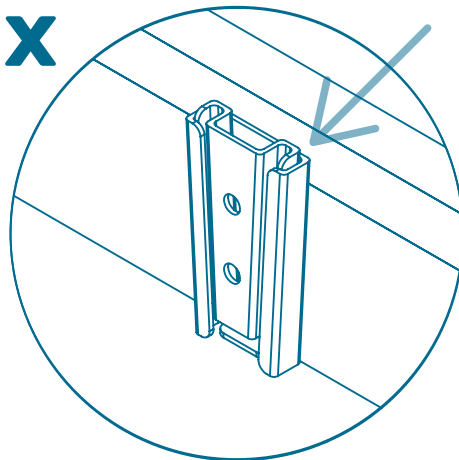
-
2. Screw legs into the seat frame with washers and tighten fully x4.



- 3.** Flip the frame over, then align the backrest brackets above to the frame brackets (X3). Push down from the top so that the brackets slide into each other.



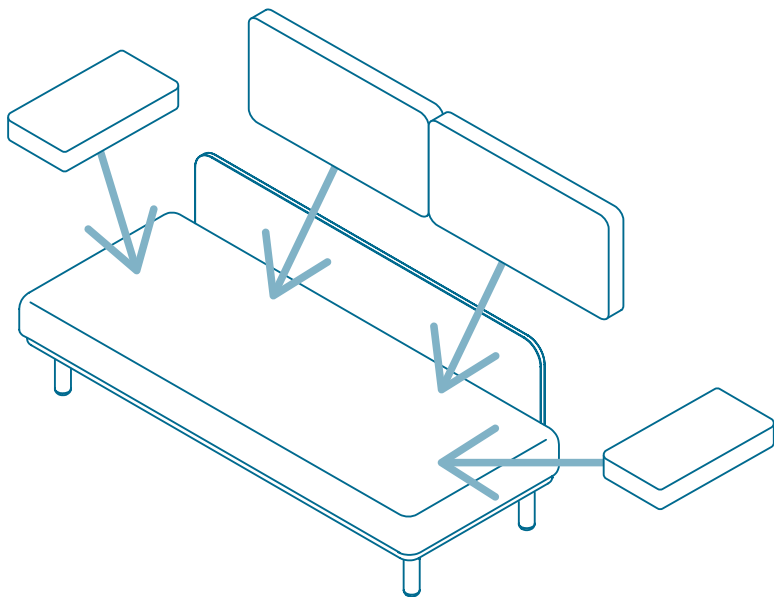
-
- 4.** **NOTE:** the backrest should be pushed down firmly so that the brackets are fully engaged.



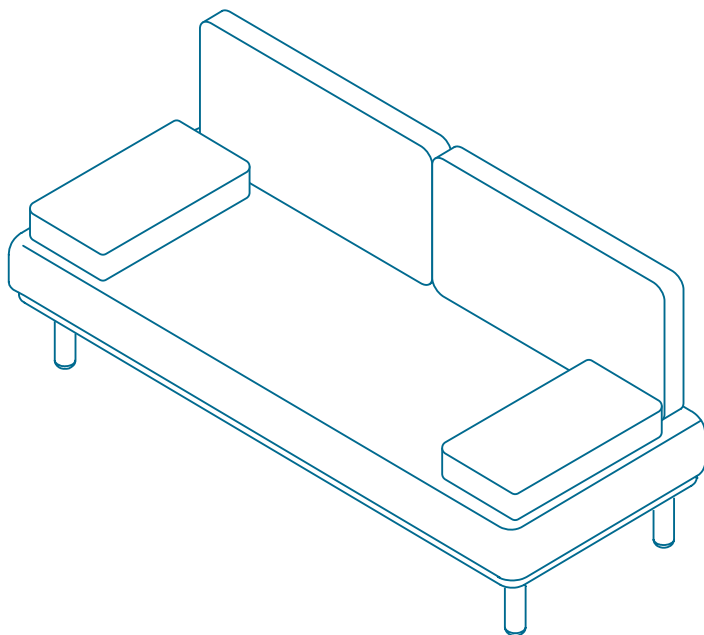
X Not fully engaged

O Fully engaged

- 5.** Place backrest and armrest cushions onto the frame and the sofa is ready to use!



-
- 6.** Enjoy.



koala